

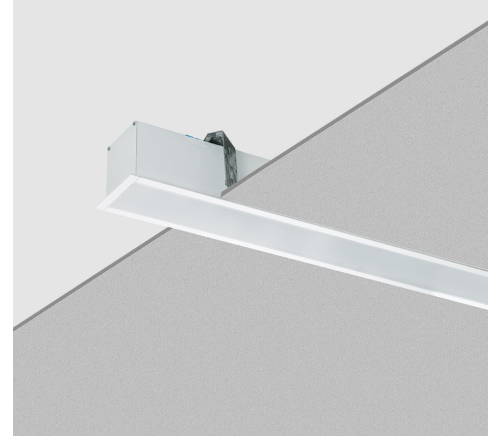
## M440B115LED2AF-W

**INFINITY-B recessed continuous light bar, Satin white Acrylic diffuser, Length: 115cm, 4000K, LED2, 3600 Lumens, 31W, White**



### About Product

INFINITY-B recessed continuous light bar is Mazinoor state of the art design suitable for continuous light bar applications. Aesthetically beautiful design, uniform light distribution, energy saving, and glare control are among the highlights of this luminaire.



### Technical Information

Catalogue Code/product code:	M440B115LED2AF-W
Mounting Type:	Wall Mounted; Recessed, Recessed-Gypsum false ceiling
Application:	Hypermarket, Hospitality, Gallery and museum, Office, Shopping centers
Light source type:	LED
Module/ Lamp quantity:	2
CCT (Color temperature):	4000K - Neutral White
Light source:	LED
Lumen maintenance:	> 60.000 hours
Lumen maintenance factor:	L70
CRI (Color rendering index):	> 80
Power Consumption:	31
Luminous Flux:	3600
Efficacy (lm/W):	116
IP (Ingress Protection):	IP43 (Underside)
Insulation Class:	Class I
Ballast/ Driver:	Constant Current Driver (PF> 0.9)
FLICKER:	Flicker Free
Ballast/ driver Spec:	Non-dimmable
Control method options:	On/Off, DALI, Push
Ballast/ Driver (Channel quantity):	Single channel

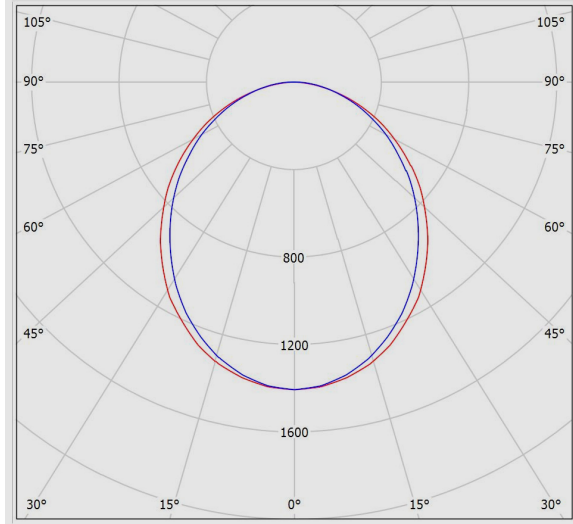
**M440B115LED2AF-W**
**INFINITY-B recessed continuous light bar, Satin white Acrylic diffuser, Length: 115cm, 4000K, LED2, 3600 Lumens, 31W, White**

Mains voltage:	220~240 VAC±10%, 198~264 VAC
Voltage Frequency:	50~60 Hz
Wire / Cable Spec:	PVC solid wire
Wire cross section:	0.5
Terminal material:	Polycarbonate
Terminal Spec:	Cable looping is possible, 3-Pole (Size: 2.5), Tool free wire connection
Cable Looping:	Yes
Body Material:	Extruded aluminum profile
Body Coating:	Powder coated
Body Color:	White
RAL:	RAL9016
End Caps Material:	Extruded aluminum profile
Diffuser/Glass Material:	Satin white PMMA (Acrylic) extruded profile diffuser
Diffuser/Glass Shape:	Satin white
Diffuser/Glass Characteristic:	UV stabilized, Uniform light distribution, High efficiency, Resistant to scratches
Light Distribution:	Uniform light distribution
Packaging type:	Nylon cover and carton
Order Option:	Body color in black, Dimmable DALI PUSH driver, Emergency battery
Other Characteristics:	Mounting brackets included
Weight(Kg):	4.5
Dimensions(mm):	1160x110x95

**M440B115LED2AF-W**

**INFINITY-B recessed continuous light bar, Satin white Acrylic diffuser, Length: 115cm, 4000K, LED2, 3600 Lumens, 31W, White**

**Photometric Graph**



**Glare Evaluation According to UGR**

Room Surface	70	70	50	50	30	70	70	50	50	30	
ρ Ceiling	50	30	50	30	30	50	30	50	30	30	
ρ Walls	20	20	20	20	20	20	20	20	20	20	
ρ Floor											
Room Size X Y	Viewing direction at right angles to lamp axis					Viewing direction parallel to lamp axis					
2H	2H	16.8	18.1	17.1	18.3	18.6	18.1	19.4	18.4	19.6	19.8
	3H	17.8	19.0	18.2	19.3	19.5	19.5	20.7	19.8	20.9	21.2
	4H	18.2	19.3	18.5	19.6	19.8	20.1	21.2	20.4	21.4	21.7
	6H	18.3	19.4	18.7	19.7	20.0	20.5	21.5	20.8	21.8	22.1
	8H	18.4	19.4	18.7	19.7	20.0	20.6	21.6	21.0	21.9	22.2
12H	18.4	19.3	18.7	19.6	20.0	20.7	21.6	21.1	22.0	22.3	
4H	2H	17.4	18.5	17.7	18.8	19.0	18.4	19.5	18.8	19.8	20.1
	3H	18.6	19.5	18.9	19.8	20.2	20.0	20.9	20.3	21.2	21.6
	4H	19.0	19.8	19.4	20.2	20.6	20.6	21.5	21.0	21.8	22.2
	6H	19.2	20.0	19.7	20.4	20.8	21.1	21.9	21.6	22.3	22.6
	8H	19.3	20.0	19.7	20.4	20.8	21.3	22.0	21.8	22.4	22.8
12H	19.3	19.9	19.8	20.3	20.8	21.4	22.1	21.9	22.5	22.9	
6H	4H	19.2	19.9	19.6	20.3	20.7	20.7	21.4	21.2	21.8	22.2
	6H	19.5	20.1	20.0	20.5	21.0	21.3	21.9	21.8	22.3	22.8
	8H	19.6	20.1	20.1	20.6	21.0	21.5	22.0	22.0	22.5	23.0
	12H	19.7	20.1	20.2	20.6	21.1	21.7	22.1	22.2	22.6	23.1
	12H	4H	19.2	19.8	19.7	20.2	20.7	20.7	21.3	21.2	21.7
6H		19.6	20.1	20.1	20.5	21.0	21.3	21.8	21.8	22.2	22.7
8H		19.7	20.1	20.2	20.6	21.1	21.6	22.0	22.0	22.4	22.9
Variation of the observer position for the luminaire distances S											
S = 1.0H		+0.2 / -0.3					+0.1 / -0.1				
S = 1.5H	+0.4 / -0.7					+0.3 / -0.4					
S = 2.0H	+0.7 / -1.2					+0.9 / -1.0					
Standard table	BK04					BK05					
Correction Summand	2.1					4.4					
Corrected Glare Indices referring to 3600lm Total Luminous Flux											

**Dimensional Drawing**

