

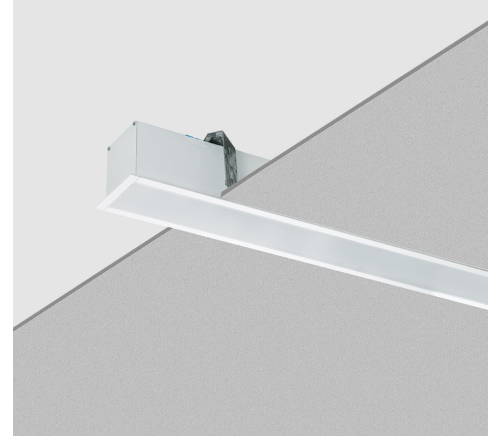
M440B200LED2AF-W

INFINITY-B recessed continuous light bar, Satin white Acrylic diffuser, Length: 200cm, 4000K, LED2, 6200 Lumens, 54W, White



About Product

INFINITY-B recessed continuous light bar is Mazinoor state of the art design suitable for continuous light bar applications. Aesthetically beautiful design, uniform light distribution, energy saving, and glare control are among the highlights of this luminaire.



Technical Information

Catalogue Code/product code:	M440B200LED2AF-W
Mounting Type:	Wall Mounted; Recessed, Recessed-Gypsum false ceiling
Application:	Hypermarket, Hospitality, Gallery and museum, Office, Shopping centers
Light source type:	LED
Module/ Lamp quantity:	4
CCT (Color temperature):	4000K - Neutral White
Light source:	LED
Lumen maintenance:	> 60.000 hours
Lumen maintenance factor:	L70
CRI (Color rendering index):	> 80
Power Consumption:	54
Luminous Flux:	6200
Efficacy (lm/W):	115
IP (Ingress Protection):	IP43 (Underside)
Insulation Class:	Class I
Ballast/ Driver:	Constant Current Driver (PF> 0.9)
FLICKER:	Flicker Free
Ballast/ driver Spec:	Non-dimmable
Control method options:	On/Off, DALI, Push
Ballast/ Driver (Channel quantity):	Single channel

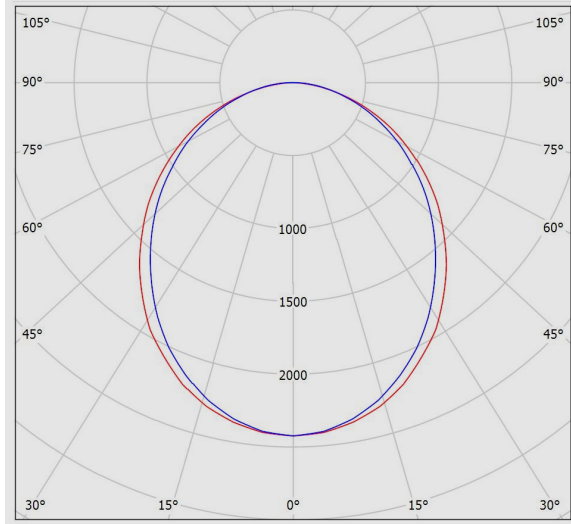
M440B200LED2AF-W
INFINITY-B recessed continuous light bar, Satin white Acrylic diffuser, Length: 200cm, 4000K, LED2, 6200 Lumens, 54W, White

Mains voltage:	220~240 VAC±10%
Voltage Frequency:	50/60 Hz
Wire / Cable Spec:	PVC solid wire
Wire cross section:	0.5
Terminal material:	Polycarbonate
Terminal Spec:	Cable looping is possible, 3-Pole (Size: 2.5), Tool free wire connection
Cable Looping:	Yes
Body Material:	Extruded aluminum profile
Body Coating:	Powder coated
Body Color:	White
RAL:	RAL9016
End Caps Material:	Extruded aluminum profile
Diffuser/Glass Material:	Satin white PMMA (Acrylic) extruded profile diffuser
Diffuser/Glass Shape:	Satin white
Diffuser/Glass Characteristic:	Uniform light distribution, High efficiency, Resistant to scratches, UV stabilized
Light Distribution:	Uniform light distribution
Packaging type:	Nylon cover and carton
Order Option:	Dimmable DALI PUSH driver, Body color in black
Other Characteristics:	Mounting brackets included
Weight(Kg):	6.5
Dimensions(mm):	2005x110x95

M440B200LED2AF-W

INFINITY-B recessed continuous light bar, Satin white Acrylic diffuser, Length: 200cm, 4000K, LED2, 6200 Lumens, 54W, White

Photometric Graph



Glare Evaluation According to UGR												
		70	70	50	50	30	70	70	50	50	30	
p Ceiling		50	30	50	30	30	50	30	50	30	30	
p Walls		20	20	20	20	20	20	20	20	20	20	
p Floor		20	20	20	20	20	20	20	20	20	20	
Room Size X	Room Size Y	Viewing direction at right angles to lamp axis					Viewing direction parallel to lamp axis					
2H	2H	16.8	18.1	17.1	18.3	18.6	18.2	19.5	18.5	19.7	20.0	
	3H	17.8	19.0	18.1	19.3	19.5	19.6	20.8	20.0	21.1	21.4	
	4H	18.2	19.3	18.5	19.5	19.8	20.2	21.3	20.6	21.6	21.9	
	6H	18.3	19.4	18.7	19.7	20.0	20.7	21.7	21.0	22.0	22.3	
	8H	18.3	19.3	18.7	19.7	20.0	20.8	21.8	21.2	22.1	22.4	
	12H	18.3	19.3	18.7	19.6	20.0	20.9	21.9	21.3	22.2	22.5	
4H	2H	17.4	18.5	17.7	18.8	19.1	18.5	19.6	18.9	19.9	20.2	
	3H	18.6	19.5	18.9	19.8	20.2	20.1	21.1	20.5	21.4	21.7	
	4H	19.0	19.8	19.4	20.2	20.6	20.8	21.6	21.2	22.0	22.3	
	6H	19.2	20.0	19.7	20.4	20.8	21.3	22.1	21.7	22.4	22.8	
	8H	19.3	20.0	19.7	20.4	20.8	21.5	22.2	22.0	22.6	23.0	
	12H	19.3	19.9	19.8	20.3	20.8	21.7	22.3	22.1	22.7	23.1	
8H	4H	19.2	19.9	19.7	20.3	20.7	20.9	21.6	21.3	21.9	22.4	
	6H	19.5	20.1	20.0	20.5	21.0	21.5	22.0	22.0	22.5	22.9	
	8H	19.6	20.1	20.1	20.6	21.1	21.7	22.2	22.2	22.7	23.1	
	12H	19.7	20.1	20.2	20.6	21.1	21.9	22.3	22.4	22.8	23.3	
	12H	4H	19.2	19.8	19.7	20.3	20.7	20.9	21.5	21.3	21.9	22.3
		6H	19.6	20.1	20.1	20.5	21.0	21.5	22.0	22.0	22.4	22.9
8H		19.7	20.1	20.2	20.6	21.1	21.7	22.2	22.2	22.6	23.1	
Variation of the observer position for the luminaire distances S												
S = 1.0H		+0.2 / -0.3					+0.1 / -0.1					
S = 1.5H		+0.4 / -0.7					+0.4 / -0.5					
S = 2.0H	+0.7 / -1.2					+0.9 / -1.0						
Standard table	BK04					BK05						
Correction Summand	2.1					4.6						
Corrected Glare Indices referring to 6200lm Total Luminous Flux												

Dimensional Drawing

